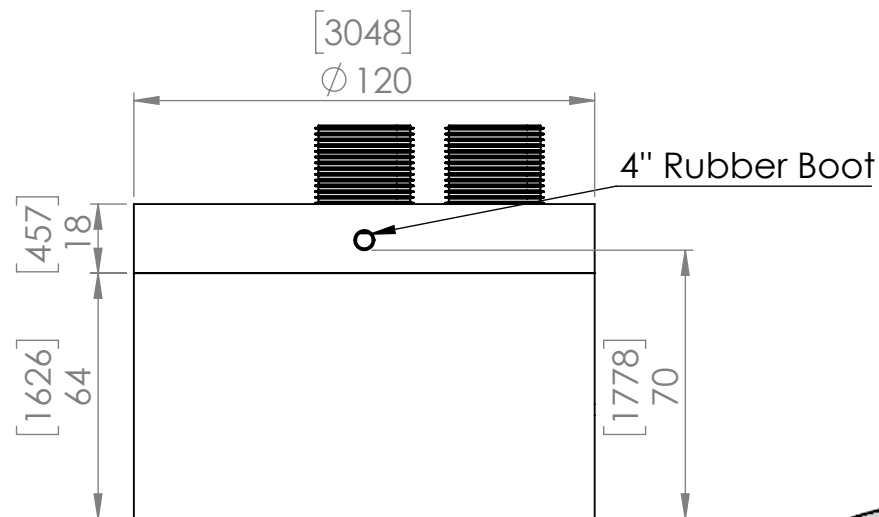
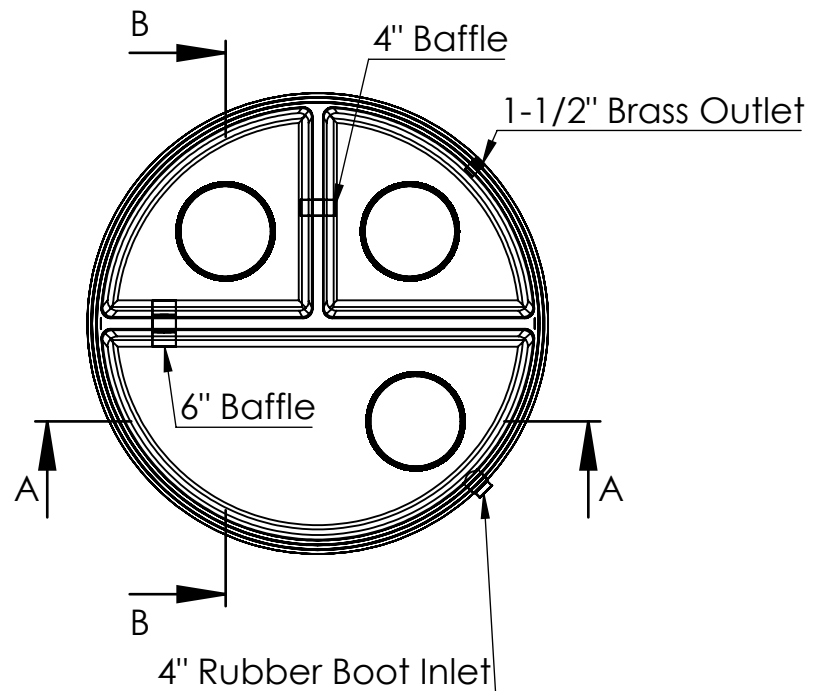
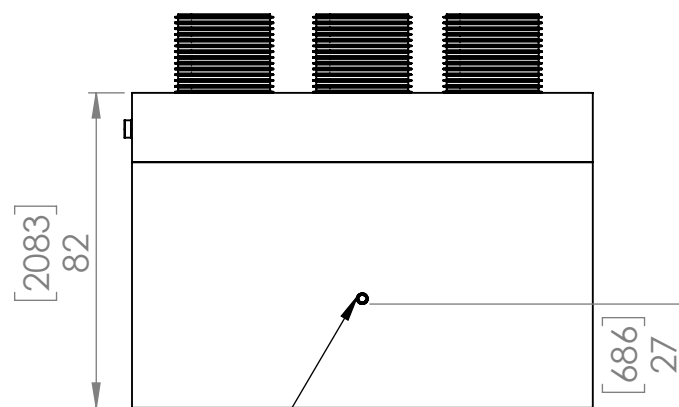


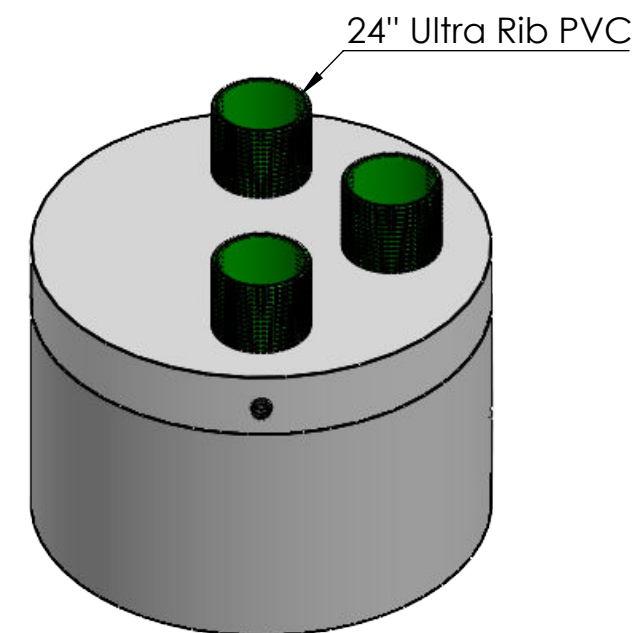
SECTION A-A



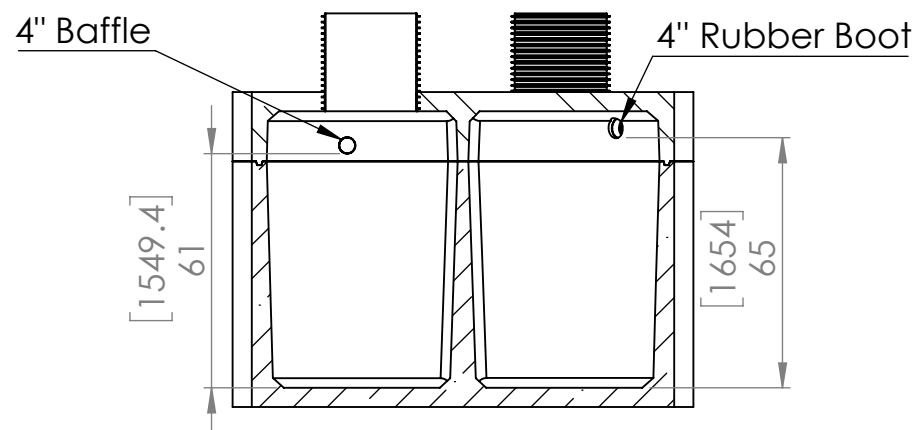
Inlet



1-1/2 Brass Coupling Outlet



24" Ultra Rib PVC



SECTION B-B



Edmonton  
16910 129 Ave  
PH: 780-447-2222  
Fax: 780-447-1984

Calgary  
4315 58 Ave SE  
PH: 403-230-1666  
Fax: 403-276-4176

### 2400 Gallon 3 Compartments GMH (T-Tank)

Material: Concrete Type HS  
Reinforcing: 15mm Rebar & 4x4 (10 Gauge) Wire Mesh  
CSA Approved: 1.8 Meters  
Item ID: 11075G

Working Capacity: 1340 Imperial Gallons  
Pump Chamber: 520 Imperial Gallons  
Dose Volume: 8.6 Gal/inch (third chamber)  
Weight: 37500 LBS / 17010 KG

THE INFORMATION CONTAINED IN THIS DRAWING IS THE SOLE PROPERTY OF ALBERTA WILBERT SALES LTD. ANY REPRODUCTION IN PART OR AS A WHOLE WITHOUT THE WRITTEN PERMISSION OF ALBERTA WILBERT SALES LTD IS PROHIBITED.

SCALE: 1:50